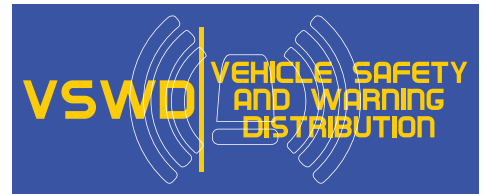
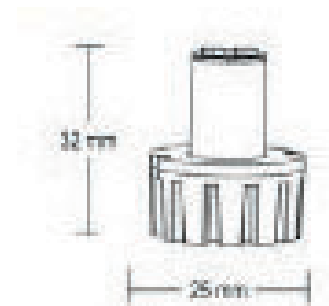
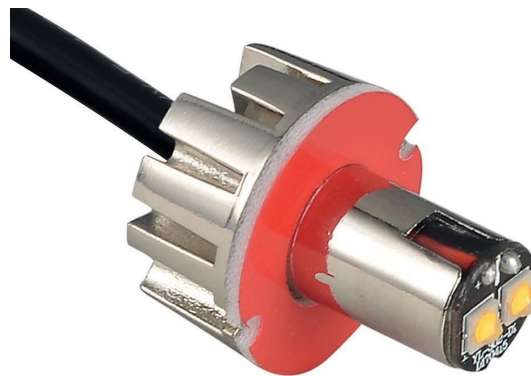


# VSWD-HL301 Strobe Series



**R10**



Part Number	+ Colour
VSWD-HL301-Colour	A = Amber B = Blue R = Red W = White

<b>Flash Patterns</b>	26 Patterns	<b>Approvals</b>	ECE R10
<b>Voltage</b>	9-30v	<b>IP Rating</b>	IP65
<b>LEDs</b>	2 LEDs	<b>Colours</b>	
<b>Mounting</b>	Self Adhesive or Bolts	<b>Additional Features</b>	Sync Wire
<b>Dimensions</b>	See Above	<b>Box Qty</b>	30
<b>Housing Material</b>	Aluminium	<b>Lens Material</b>	N/A